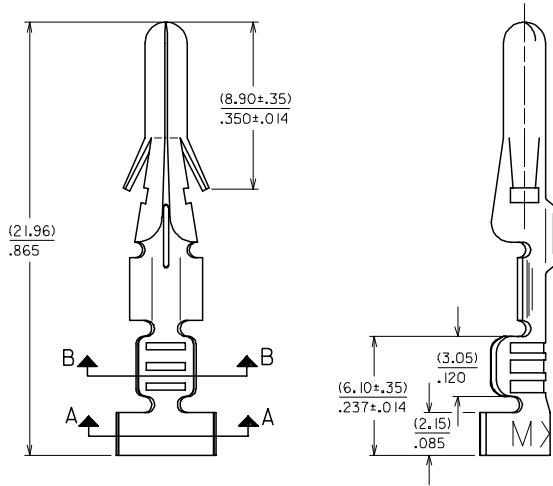
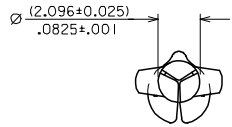


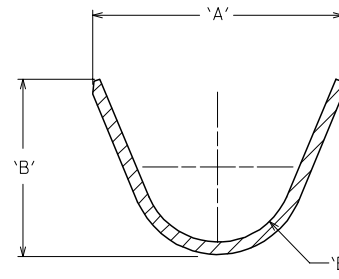
10 9 8 7 6 5 4 3 2 1

NOTES:

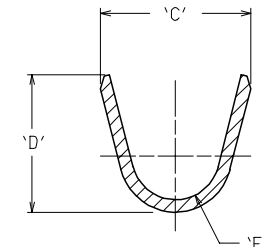
1. THIS TERMINAL FOR USE WITH HOUSING P/N. 8981-4M*
2. FINISH: (.00089)/.000035 MIN. TIN/LEAD OR TIN OVER (.00051)/.000020 MIN. NICKEL.
3. MATERIAL: (.025)/.010 THK PHOS BRONZE, ALLOY CA 51000.



PLATING	ENG NO.	ENG NO.	FORM	'A'	'B'	'C'	'D'	'E'	'F'
TIN/LEAD	002-08-1234	8980-6C	CHAIN, 14-20 AWG WIRE	(4.44)	(3.39)	(3.02)	(3.61)	(1.23)	(0.61)
	002-08-1235	8980-6L	LOOSE, 14-20 AWG WIRE	.175	.133	.119	.142	.048	.024
	002-08-1236	8980-6C1	CHAIN, 18-22 AWG WIRE	(3.28)	(2.58)	(2.44)	(2.58)	(0.91)	(0.53)
TIN	002-08-1237	8980-6L1	LOOSE, 18-22 AWG WIRE	.129	.102	.096	.102	.036	.021
	002-08-1334	8980-6C-LF	CHAIN, 14-20 AWG WIRE	(4.44)	(3.39)	(3.02)	(3.61)	(1.23)	(0.61)
	002-08-1335	8980-6L-LF	LOOSE, 14-20 AWG WIRE	.175	.133	.119	.142	.048	.024
	002-08-1336	8980-6C1-LF	CHAIN, 18-22 AWG WIRE	(3.28)	(2.58)	(2.44)	(2.58)	(0.91)	(0.53)
	002-08-1337	8980-6L1-LF	LOOSE, 18-22 AWG WIRE	.129	.102	.096	.102	.036	.021



SECTION A-A



SECTION B-B

F

E

D

C

B

A

F

E

D

C

B

A

LEAD FREE CONVERSION EC NO: S2005-0197 DRAWN:KMG0H 2004/10/06 CHKD:PTLIM 2004/10/06 APPR:SKTOH 2004/10/08	QUALITY SYMBOLS ▽=0 ▽=0	GENERAL TOLERANCES (UNLESS SPECIFIED)		DIMENSION STYLE MM/IN	SCALE NTS	DESIGN UNITS METRIC	THIRD ANGLE PROJECTION		
		4 PLACES ± --- ± ---	3 PLACES ± --- ± .008	DRAWN BY JWAN	DATE 1994/11/03	PIN CRIMP TYPE DIA. (2.13)/.084			
		2 PLACES ± 0.20 ± ---	1 PLACE ± --- ± ---	CHECKED BY ERPOH	DATE 1994/11/04				
		ANGULAR ± 3 °		APPROVED BY SKTOH	DATE 1994/11/04	MOLEX INCORPORATED		SHEET NO. 1 OF 1	
DRAFT WHERE APPLICABLE MUST REMAIN WITHIN DIMENSIONS		SEE TABLE		DOCUMENT NO. SD-8980-6*		THIS DRAWING CONTAINS INFORMATION THAT IS PROPRIETARY TO MOLEX INCORPORATED AND SHOULD NOT BE USED WITHOUT WRITTEN PERMISSION			

9 8 7 6 5 4 3 2 1